



**6' Craftsman Kit**

**2 Rails**

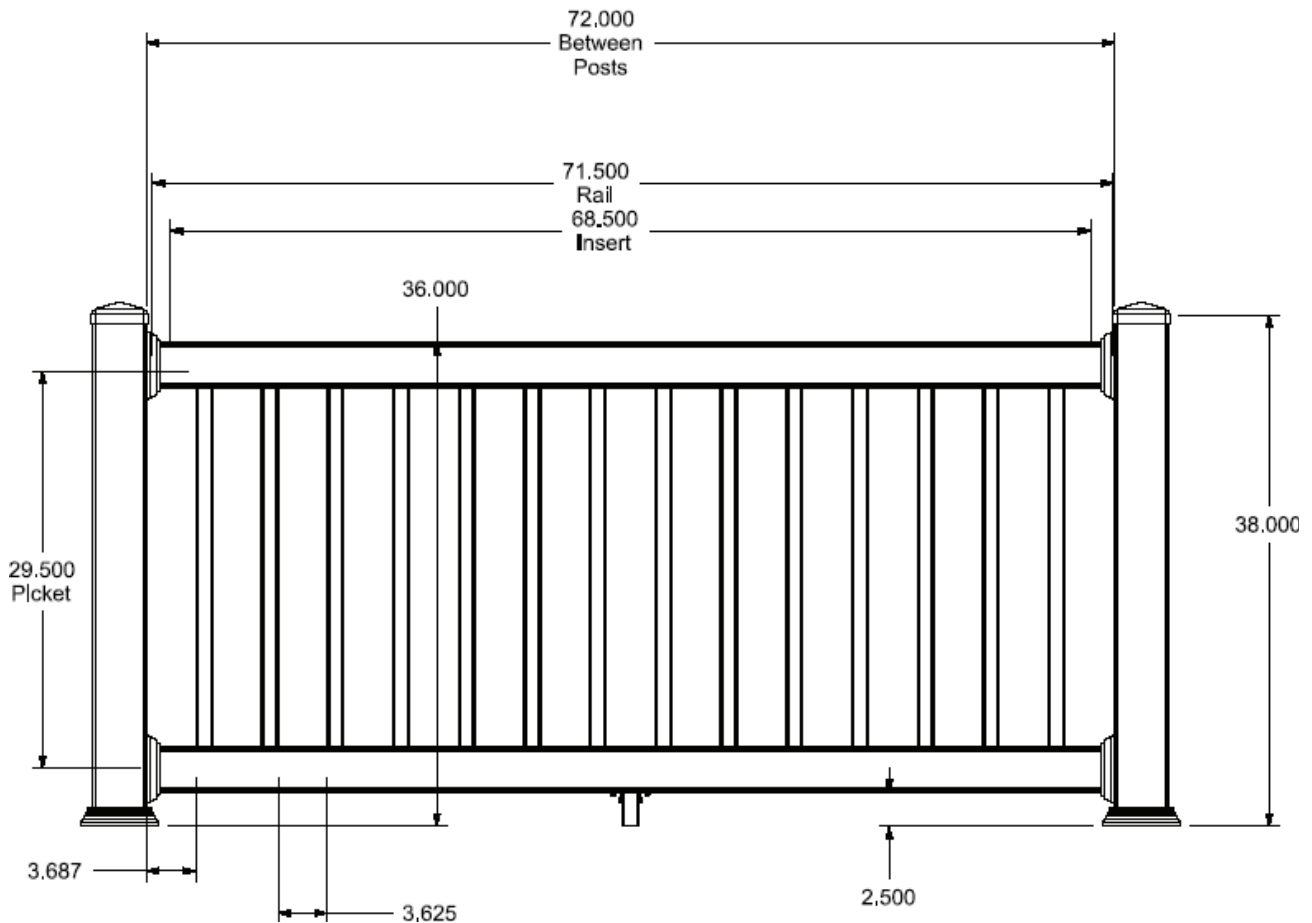
**14 Balusters**

**4 Craftsman Brackets**

**1 Foot Block kit**

**1 Aluminum Insert**

**1 Set of Installation Instructions**



**Poly-Classic Composite Railing Boxed System**



**TURNCRAFT®**

COLUMNS, POSTS, AND RAILING SYSTEMS

**8' Craftsman Kit**

**2 Rails**

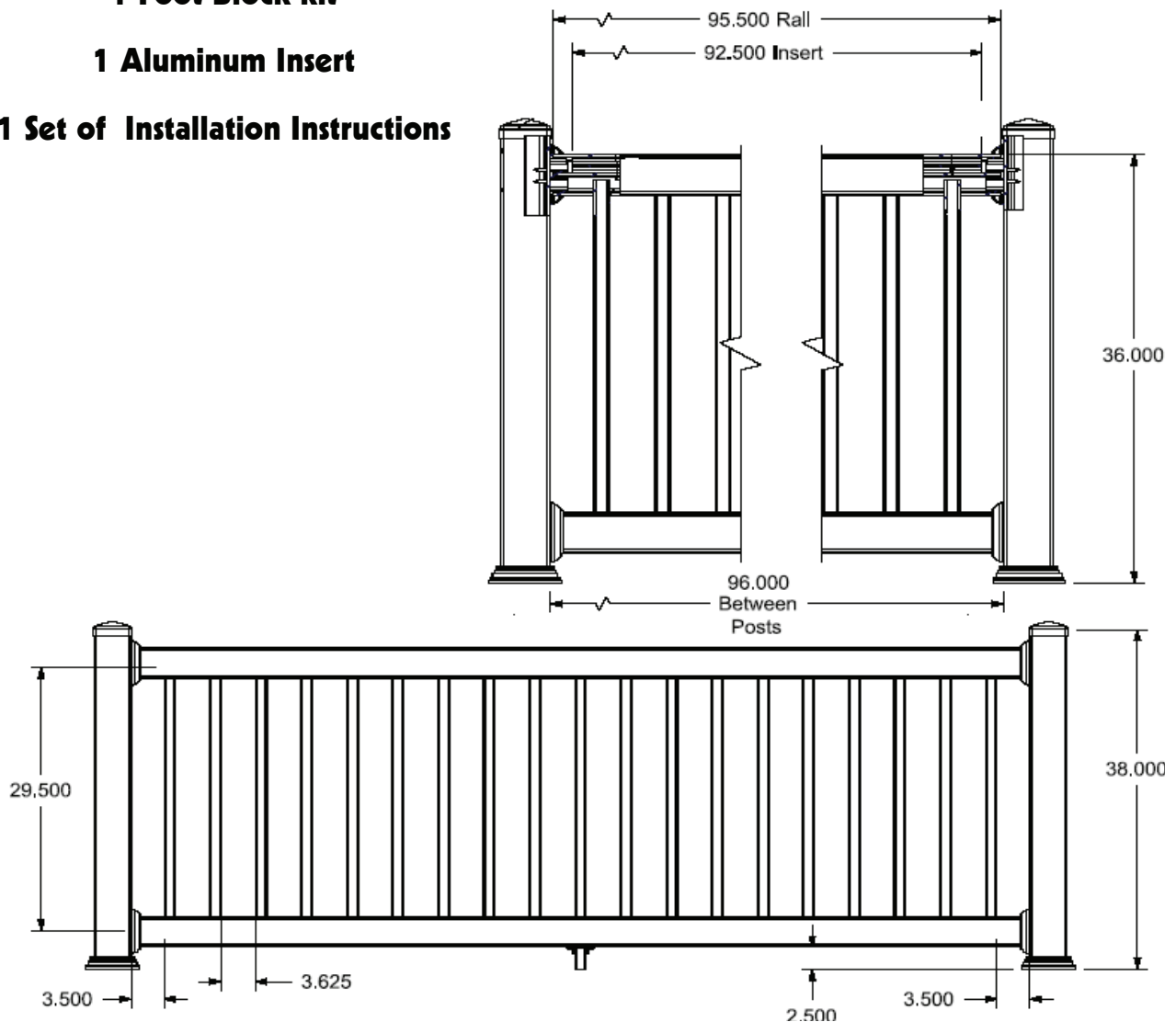
**19 Balusters**

**4 Craftsman Brackets**

**1 Foot Block kit**

**1 Aluminum Insert**

**1 Set of Installation Instructions**



**Poly-Classic Composite Railing Boxed System**



**8' Craftsman Kit**

**2 Rails**

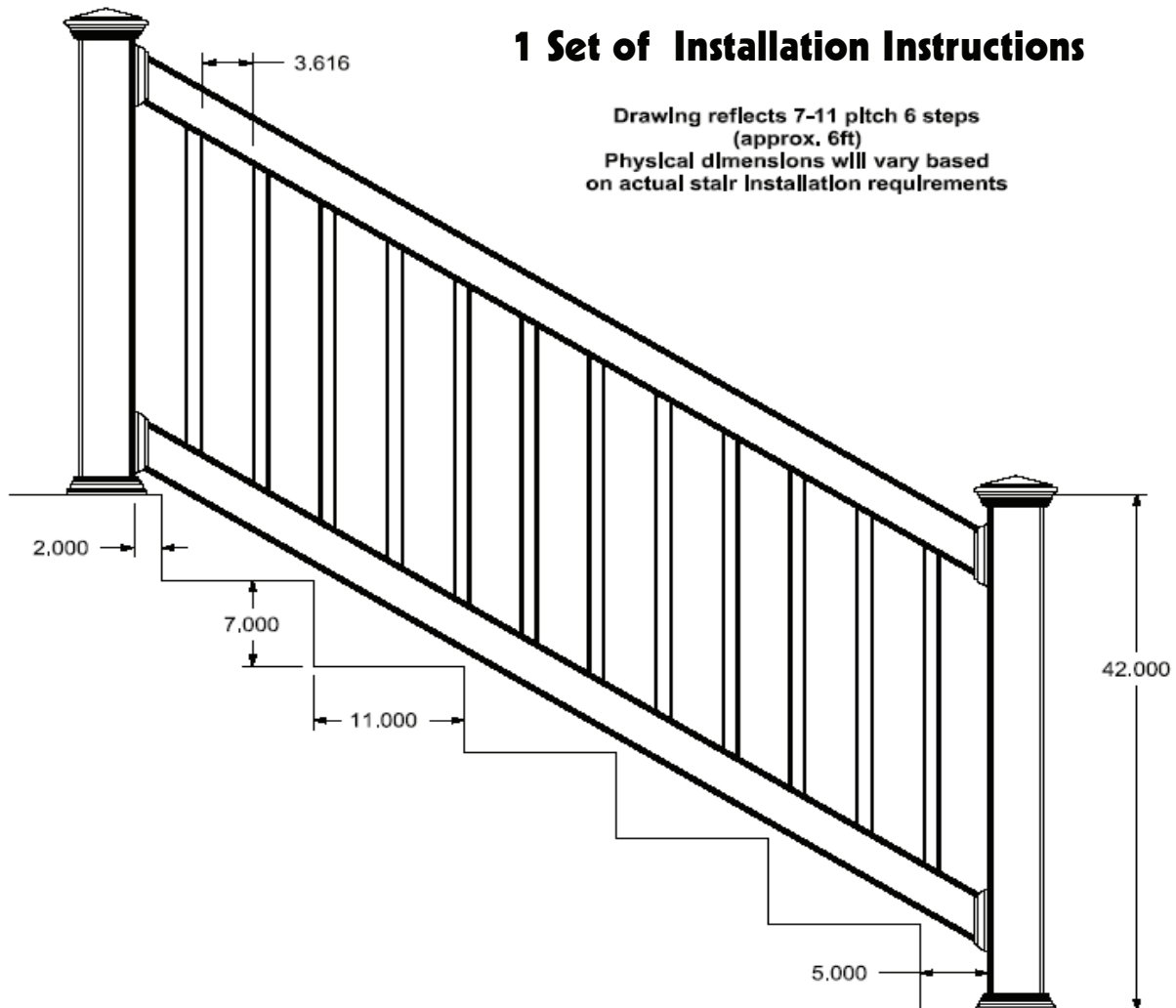
**12 Balusters**

**4 Stair Rail Bracket**

**2 Aluminum Inserts**

**1 Set of Installation Instructions**

Drawing reflects 7-11 pitch 6 steps  
(approx. 6ft)  
Physical dimensions will vary based  
on actual stair installation requirements



**Poly-Classic Composite Railing Boxed System**



**6' Colonial Kit**

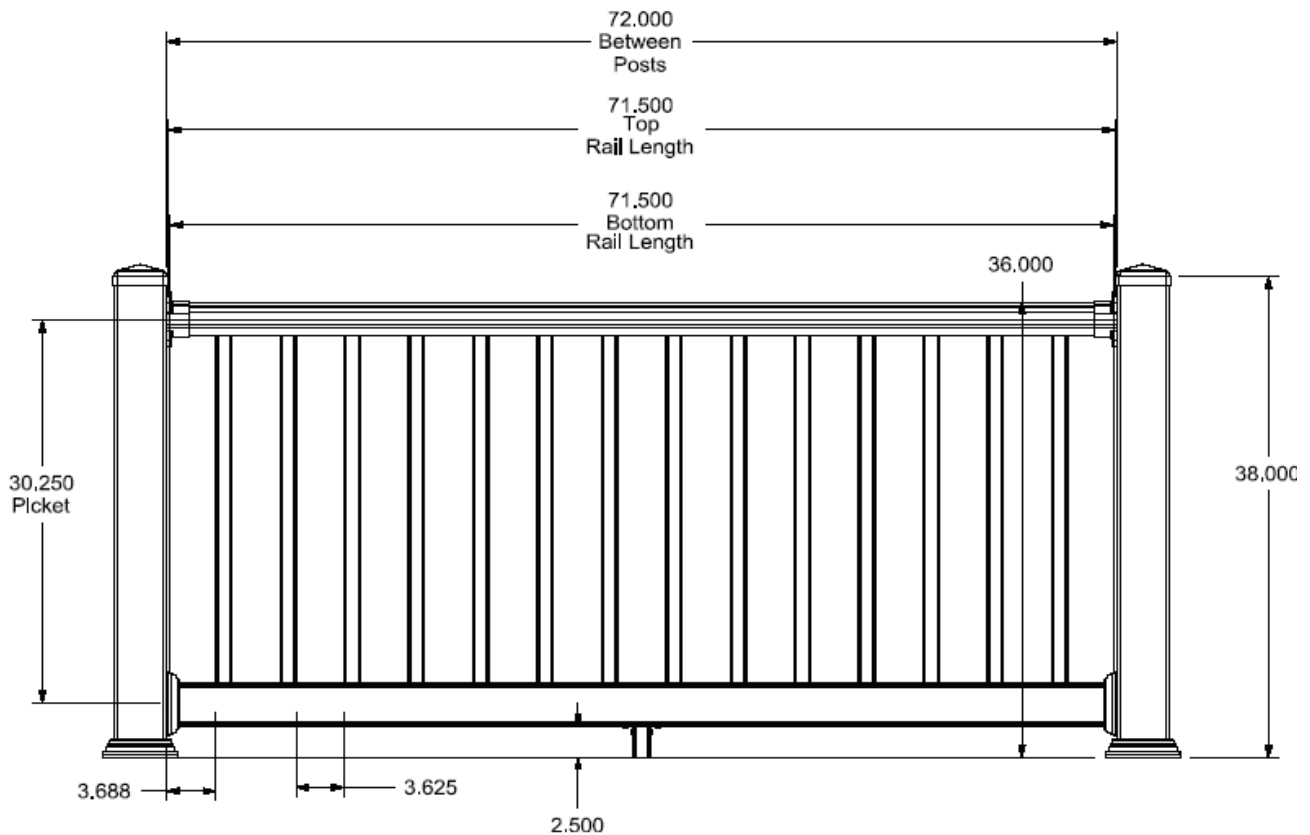
**1 Colonial Top Rail & 1 Bottom rail**

**14 Balusters**

**2 Colonial Brackets & 2 Craftsman Brackets**

**1 Foot Block kit**

**1 Set of Installation Instructions**



**Poly-Classic Composite Railing Boxed System**



**8' Colonial Kit**

**1 Colonial Top Rail & 1 Craftsman Bottom Rail**

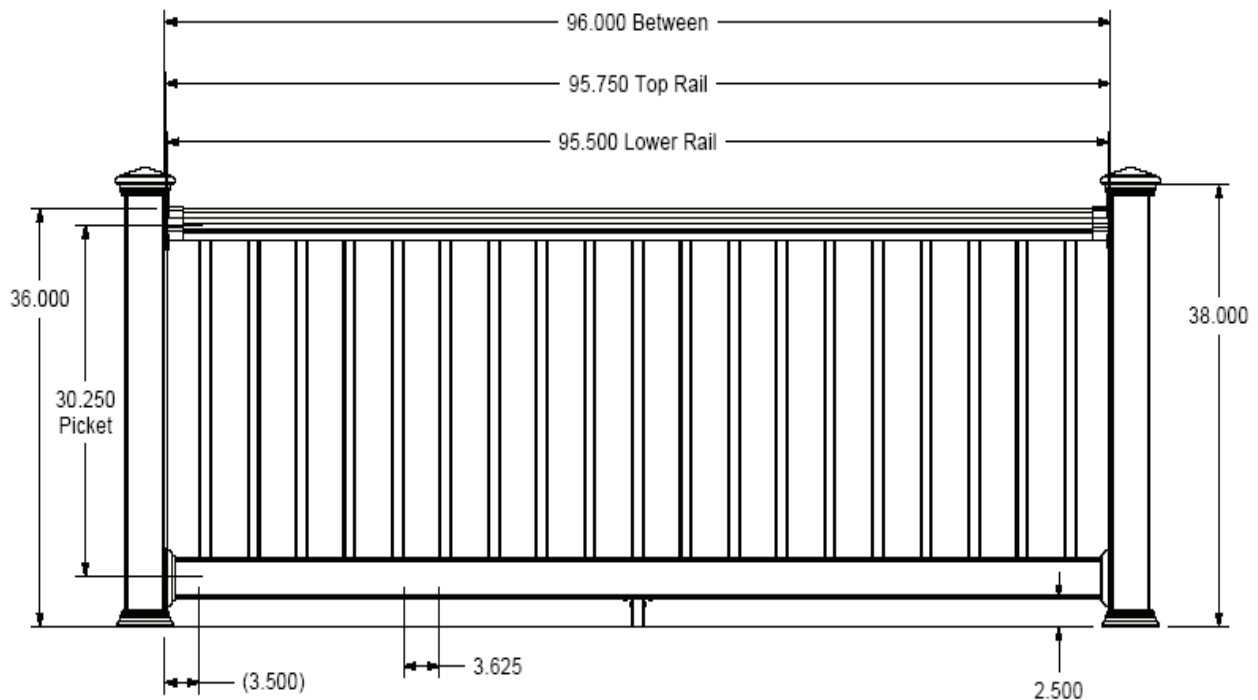
**19 Balusters**

**2 Colonial Brackets & 2 Craftsman Brackets**

**1 Foot Block kit**

**1 Aluminum Insert**

**1 Set of Installation Instructions**



**Poly-Classic Composite Railing Boxed System**



**6' Colonial Stair rail Kit**

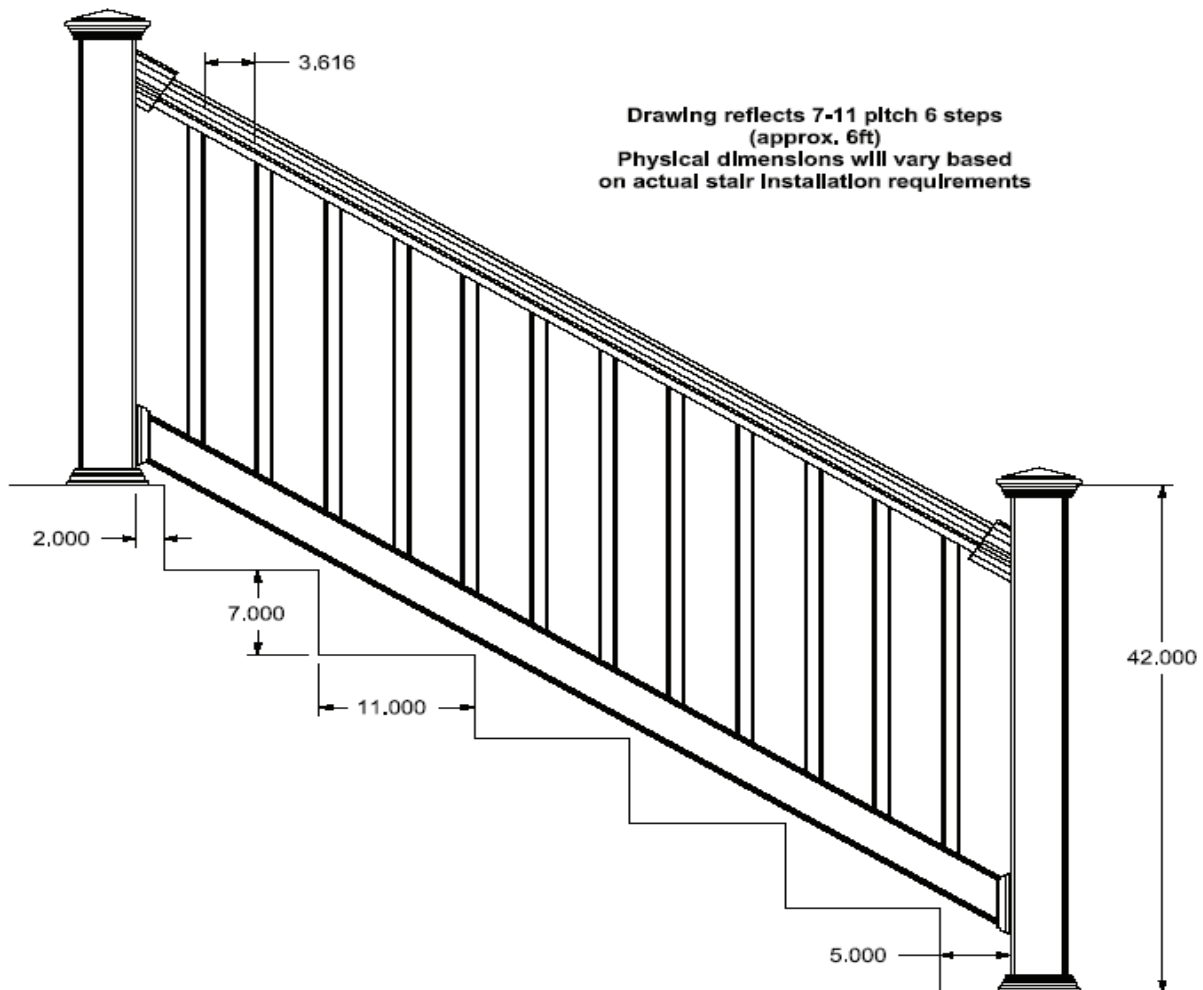
**1 Colonial Top Rail & 1 Craftsman Bottom Rail**

**12 Balusters**

**2 Colonial & 2 Craftsman Stair Rail Brackets**

**1 Aluminum Insert**

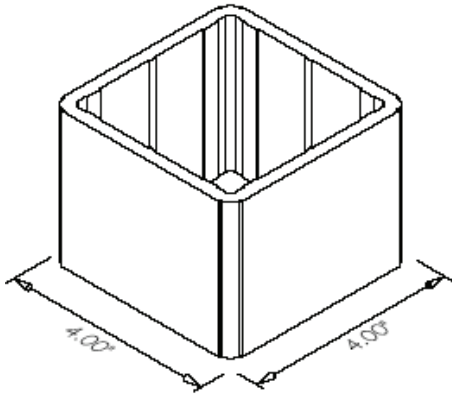
**1 Set of Installation Instructions**



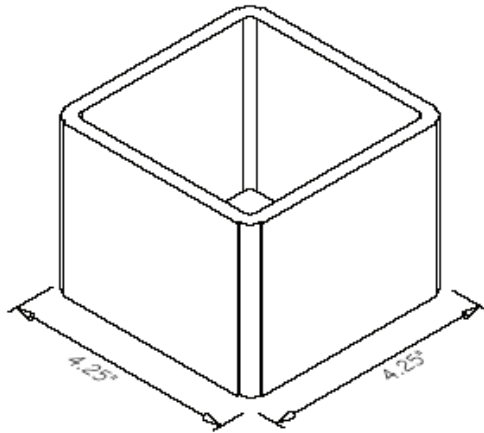
**Poly-Classic Composite Railing Boxed System**



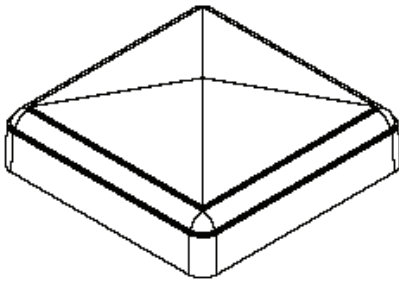
**TURNCRAFT®**  
COLUMNS, POSTS, AND RAILING SYSTEMS



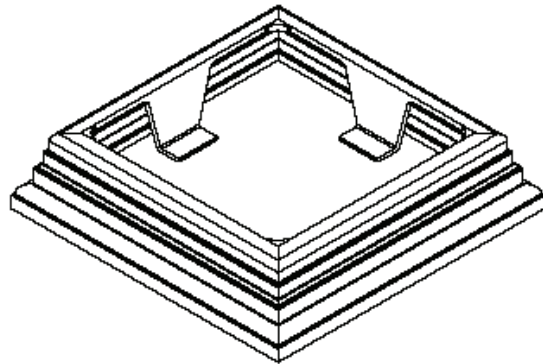
**4" Newel Post  
(old size)**



**4-1/4" Newel Post  
(New Size)**



**Craftsman Cap**



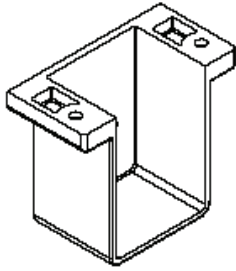
**Colonial Post trim**

**Poly-Classic Composite Railing Boxed System**

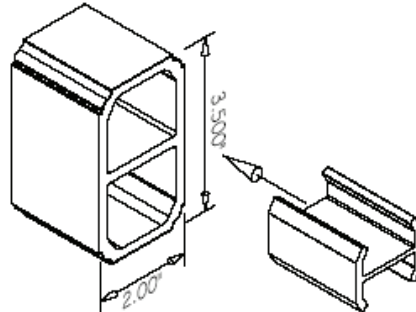


# TURNCRAFT®

COLUMNS, POSTS, AND RAILING SYSTEMS

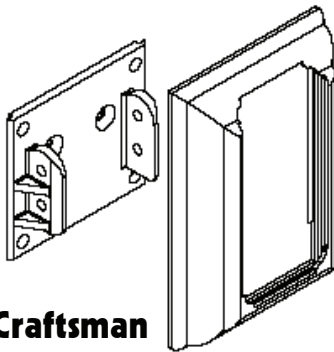


**Saddle Bracket**

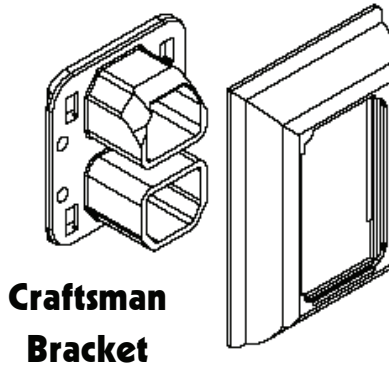


**Craftsman Rail**

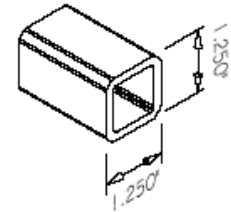
**Craftsman  
Insert**



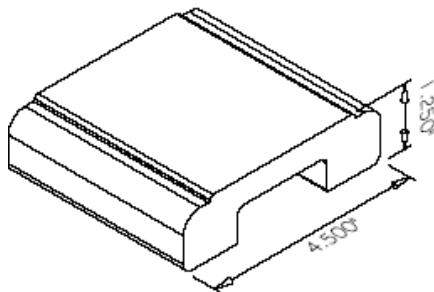
**Craftsman  
Stair Bracket**



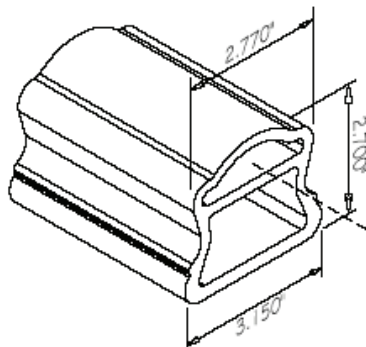
**Craftsman  
Bracket**



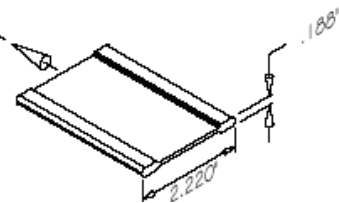
**Baluster**



**Over the Post  
Rail**



**Colonial Top  
Rail**



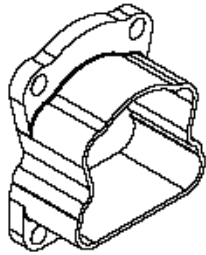
**Colonial Insert**

## **Poly-Classic Composite Railing Boxed System**

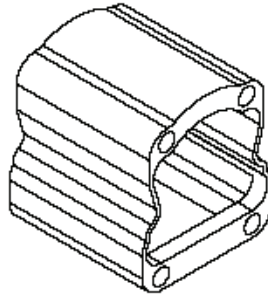


**TURNCRAFT®**

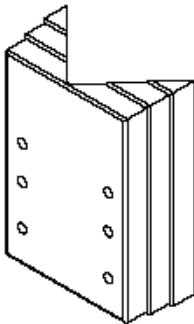
COLUMNS, POSTS, AND RAILING SYSTEMS



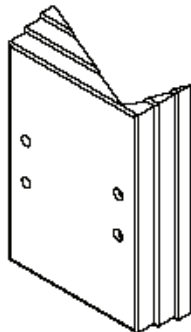
**Colonial Bracket**



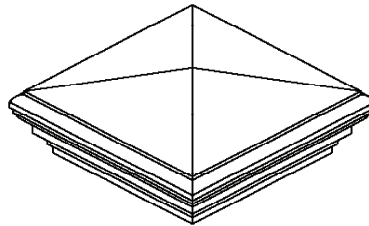
**Colonial Stair  
Bracket**



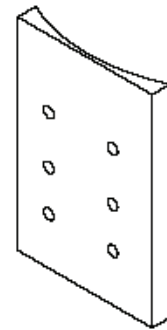
**45 deg  
Bracket**



**22.5 deg  
Bracket**



**Colonial Cap**



**Round Column  
Bracket**

**Poly-Classic Composite Railing Boxed System**