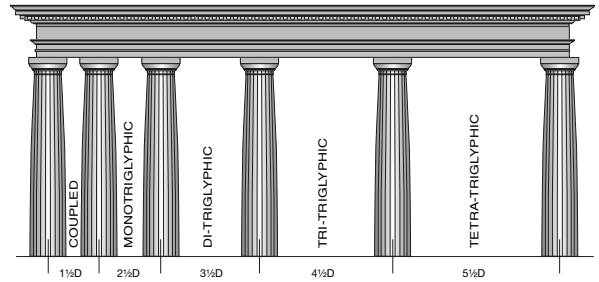
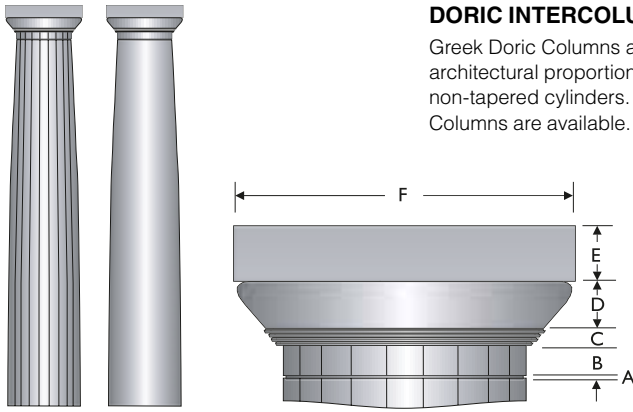


DORIC INTERCOLUMNIATION

Greek Doric Columns are available in fluted or unfluted versions. They may be ordered in Vignola's architectural proportions or in custom combinations of column lengths and widths as well as in non-tapered cylinders. Square Architectural Columns and Pilasters to match detail of Round Tapered Columns are available.

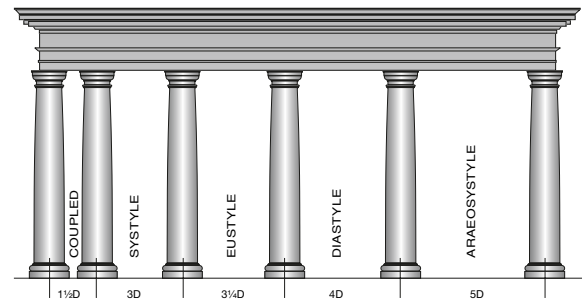
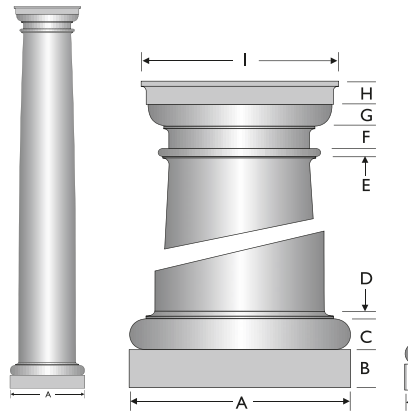


Greek Doric Tapered Shaft				Fluting Specs				Greek Doric Cap								
Outside Dia.		Inside Dia.		No.	Width	Notch		Ring Detail		Round		Total		Abacus		Total
Bottom	Top	Bottom	Top			A	B	No.	C	D	C-D	E	F	C-E		
6"	5"	2-1/4"	2"	20	15/16"	1/16"	7/16"	3	9/16"	1-1/8"	1-11/16"	1"	7-3/8"	2-11/16"		
8"	6-1/2"	4-1/4"	3-1/2"	20	1-1/4"	1/16"	13/16"	3	9/16"	1-1/4"	1-13/16"	1-1/2"	9-1/4"	3-5/16"		
10"	8-1/4"	6-3/8"	5-1/4"	20	1-9/16"	1/16"	1-3/16"	3	9/16"	1-1/2"	2-1/16"	1-7/8"	11-5/8"	3-15/16"		
12"	9-3/4"	7-7/8"	6-3/4"	20	1-7/8"	1/8"	1-1/4"	4	3/4"	1-7/8"	2-5/8"	2-1/4"	13-3/4"	4-7/8"		
14"	11-1/4"	10-1/8"	8-1/4"	20	2-3/16"	1/8"	1-5/8"	4	3/4"	2-1/8"	2-7/8"	2-5/8"	16"	5-1/2"		
16"	12-3/4"	11-1/16"	9-3/4"	20	2-1/2"	1/8"	1-7/8"	4	3/4"	2-3/8"	3-1/8"	2-7/8"	18-1/8"	6"		
18"	14-1/2"	12"	11-1/2"	20	2-13/16"	1/8"	2-1/4"	4	3/4"	2-3/4"	3-1/2"	3-1/4"	20-1/2"	6-3/4"		
20"	16"	14-1/4"	13"	20	3-1/8"	3/16"	2-5/8"	4	3/4"	3"	3-3/4"	3-5/8"	22-5/8"	7-3/8"		
22"	18"	16-1/4"	15"	20	3-7/16"	3/16"	2-5/8"	5	1"	3-1/4"	4-1/4"	4"	25-1/4"	8-1/4"		
24"	19-1/2"	18-1/4"	16-1/2"	20	3-3/4"	3/16"	3"	5	1"	3-1/2"	4-1/2"	4-3/8"	27-1/8"	8-7/8"		

Tuscan 600

TUSCAN INTERCOLUMNIATION

Tuscan Columns are available in fluted or unfluted versions. They may be ordered in Vignola's architectural proportions or in custom combinations of column lengths and widths as well as in non-tapered cylinders. Square Architectural Columns and Pilasters to match detail of Round Tapered Columns are available.



Tuscan Tapered Shaft				Fluting Specs				Tuscan Base				Tuscan Cap				
Outside Dia.		Inside Dia.		No.	Width	Plinth		Base Molding		Total	Neck	Echinus	Abacus		Total	
Bottom	Top	Bottom	Top			A	B	C	D	B-D	E	F	G	H	I	G-H
4"	3-1/4"	0"	0"	18	7/16"	5-3/8"	1"	13/16"	1/2"	2-5/16"	3/8"	1-1/4"	1/2"	11/16"	5-1/8"	1-3/16"
6"	4-3/4"	3"	3"	24	1/2"	8"	1-1/2"	1-1/4"	1/2"	3-1/4"	1/2"	1-1/4"	3/4"	1"	7-1/2"	1-3/4"
8"	6-1/2"	5-1/4"	4-7/8"	24	11/16"	10-3/4"	1-7/8"	1-3/4"	5/8"	4-1/4"	1/2"	1-1/4"	1"	1-3/8"	9-3/8"	2-3/8"
10"	8-1/2"	7-1/4"	6-7/8"	24	7/8"	13-3/8"	2-3/8"	2-1/8"	3/4"	5-1/4"	3/4"	1-7/8"	1-1/4"	1-3/4"	12-1/8"	3"
12"	10"	9"	8-1/2"	24	1"	16-1/8"	2-3/4"	2-3/8"	7/8"	6"	3/4"	1-7/8"	1-3/8"	2"	14-3/8"	3-3/8"
14"	12"	10-1/8"	9"	24	1-1/4"	18-3/4"	3-3/8"	3"	1"	7-3/8"	1"	3"	1-5/8"	2-3/8"	17-1/8"	4"
15"	12-3/4"	11-1/16"	10"	24	1-11/32"	20-1/8"	3-5/8"	3-3/16"	1-1/16"	7-7/8"	1"	3"	1-3/4"	2-9/16"	18-3/16"	4-5/16"
16"	13-1/2"	12"	10"	24	1-7/16"	21-1/2"	3-7/8"	3-3/8"	1-1/8"	8-3/8"	1"	3"	1-7/8"	2-3/4"	19-1/4"	4-5/8"
18"	15"	14-1/4"	12"	24	1-1/2"	24-1/4"	4-1/4"	3-7/8"	1-1/2"	9-5/8"	1-1/4"	2-3/4"	2-1/8"	3"	21-1/2"	5-1/8"
20"	17"	16-1/4"	13"	24	1-11/16"	27"	4-3/4"	4-1/4"	1-3/4"	10-3/4"	1-1/4"	2-3/4"	2-1/4"	3-3/8"	24-1/4"	5-5/8"
22"	18-1/2"	18-1/4"	15"	24	1-15/16"	29-3/4"	5-1/4"	4-3/4"	2-1/8"	12-1/8"	1-1/2"	4-3/4"	2-1/2"	3-3/4"	26-1/2"	6-3/8"
24"	20"	20-1/4"	17"	24	2-1/8"	32-1/2"	5-3/4"	5-1/4"	2-1/4"	13-1/4"	1-1/2"	4-3/4"	2-3/4"	4-1/8"	28-3/4"	6-7/8"
26"	22"	22-1/8"	19"	24	2-1/4"	35"	6-1/4"	5-5/8"	2-5/8"	14-1/2"	1-1/2"	4-3/4"	3"	4-3/8"	31-1/2"	7-3/8"
28"	23-1/2"	24-1/8"	21"	24	2-11/16"	38"	6-3/4"	6"	2-3/4"	15-1/2"	1-1/2"	4-3/4"	3-1/4"	4-3/4"	33-3/8"	8"
30"	25"	26-1/4"	22"	24	2-7/8"	40-1/2"	7-1/8"	6-1/2"	2-3/4"	16-1/2"	1-1/2"	4-3/4"	3-1/2"	5-1/16"	35-3/4"	8-5/8"
32"	27"	27"	23"	24	3"	42-3/4"	7-3/4"	6-7/8"	3-1/8"	17-3/4"	2"	5-3/4"	3-3/4"	5-1/2"	37-5/8"	9-1/4"
34"	28-1/2"	29"	24-1/2"	24	3-1/4"	45-1/2"	8-1/2"	7-1/2"	3-3/8"	19-3/8"	2"	5-3/4"	3-7/8"	5-3/4"	41"	9-5/8"
36"	30"	31"	26"	24	3-1/4"	48"	9"	7-3/4"	3-5/8"	20-3/8"	2"	5-3/4"	4-1/4"	6-1/4"	42-3/4"	10-1/2"

▶ Polyurethane Caps & Bases ▶ Fiberglass Caps & Bases